

# Create Your Own Mushroom Ornament

## You Will Need

Scissors

Crayons, Markers, Colored Pencil, Etc...

Glue

Ribbon, String, or Yarn

Step 1. Color in the pieces of your mushroom, remember the numbered strips will be cut apart so big pictures will end up cut apart.

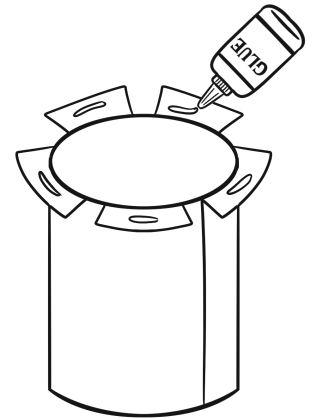
Step 2. Cut out all pieces along the dotted lines. Don't cut solid lines, they are the fold lines.

Step 3. Apply glue to the end of the stem where marked then attach the ends to make a cylinder. Fold the tabs down and away from the center of the stem.

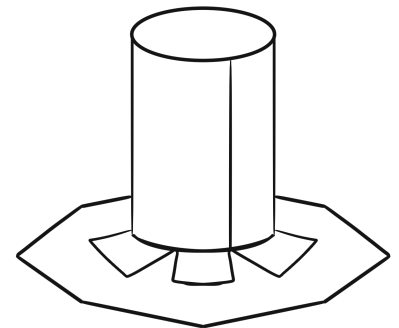
Step 4. Apply glue to the folded down tabs and attach the stem to center of the back blank side of the octagon.

Step 5. With the colored part of your strip facing up fold each end of the strip over glue each strip matching the numbers on the ends of the strip to the number on the octagon. You may need to hold each strip for a moment to make sure it sticks before you move on to the next.

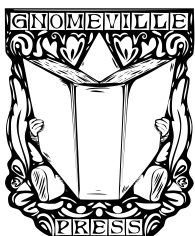
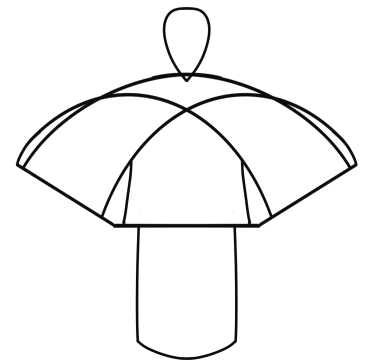
Step 6. To hang your mushroom you can use a short piece of ribbon, string, or yarn. Simply pass it under the top strip of your mushroom cap and tie it into a loop. (Grown ups are pretty good at tying so you can always ask for help if you need it)



Step 4



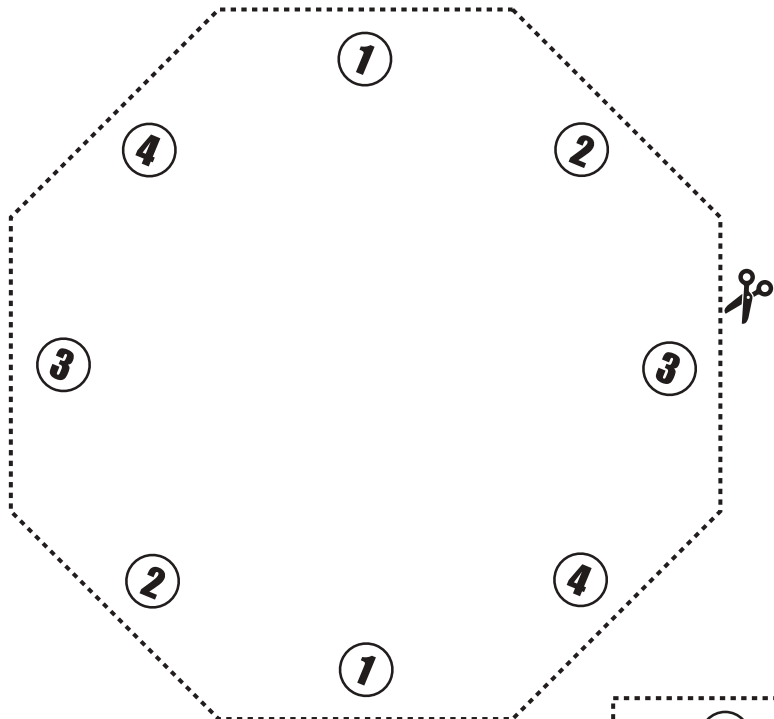
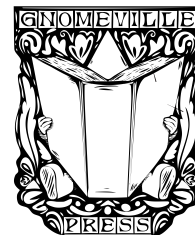
Step 5



Get your Copy of A Rosie Valentine Today!



Get your Copy of A Rosie Valentine Today!



Stem

